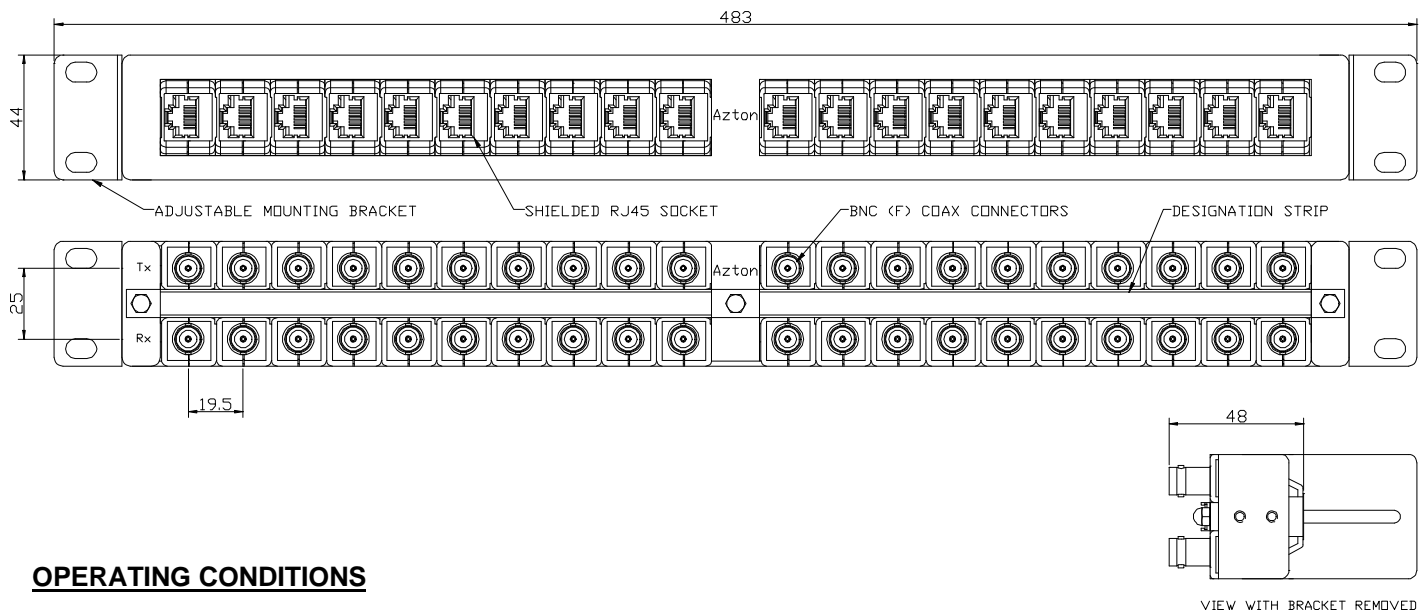


## Balun Panel, 75/120W, 2-8Mbit/s, E1 & E2, Shielded 19" 1RU, 40xBNC (f) to 20xRJ45 (f)



### OPERATING CONDITIONS

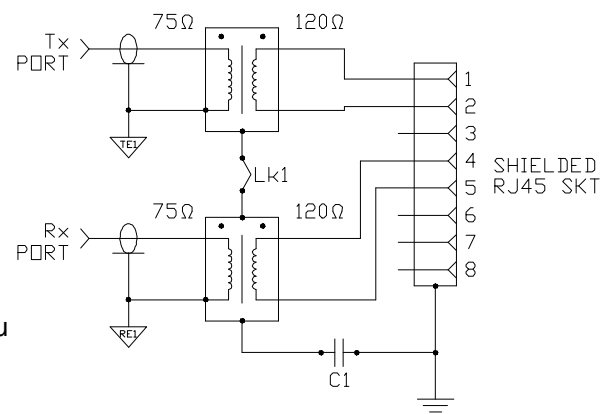
Matching Impedance: 75 ohm unbalanced coaxial to 120 ohm balanced twisted pair  
 Bit Rate: 2Mbit/s (E1) and 8Mbit/s (E2) per ITU-T G.703 Line Code  
 Signal Level: 2.37V nominal peak voltage at the coaxial end per G.703  
 Working Temperature: -30°C to 75°C

### ELECTRICAL SPECIFICATIONS

Insertion Loss: < 0.15dB from 51kHz to 3.072MHz (2Mbit/s, E1) and < 0.20dB from 211kHz to 12.673MHz (8Mbit/s, E2) in both directions  
 Return Loss: Exceeds G.703 requirements by >13dB for 2Mbit/s and >8dB for 8Mbit/s  
 Pulse Shape: Exceeds G.703 requirements for 2Mbit/s and 8Mbit/s  
 Cross Talk: < -70dB from 51kHz to 12.673MHz between channels  
 Isolation Voltage: > 250V DC for 1 minute

### MECHANICAL SPECIFICATIONS

Coaxial Connector: BNC female to IEC 169-8  
 Body: Brass, Plated Cu/Ni5b  
 Pin: Phosphor Bronze, Plated  
 Cu/Ni5/Au1.25  
 Insulator: Teflon  
 Mating Cycles: 500min  
 RJ45 Connector: Contacts: Phosphor Bronze, Plated Ni/Au  
 Moulding: PBT Glass Filled, Black  
 Shield: Brass, Plated Sn  
 Mouldings: ABS-PC, Black  
 Panel: Steel, Zinc Sealed and Powder Coated Black



### ACCESSORIES

Mounting Brackets: For 21" and 23" racks  
 Dual Balun Modules: For alternative coax connectors or bit rates