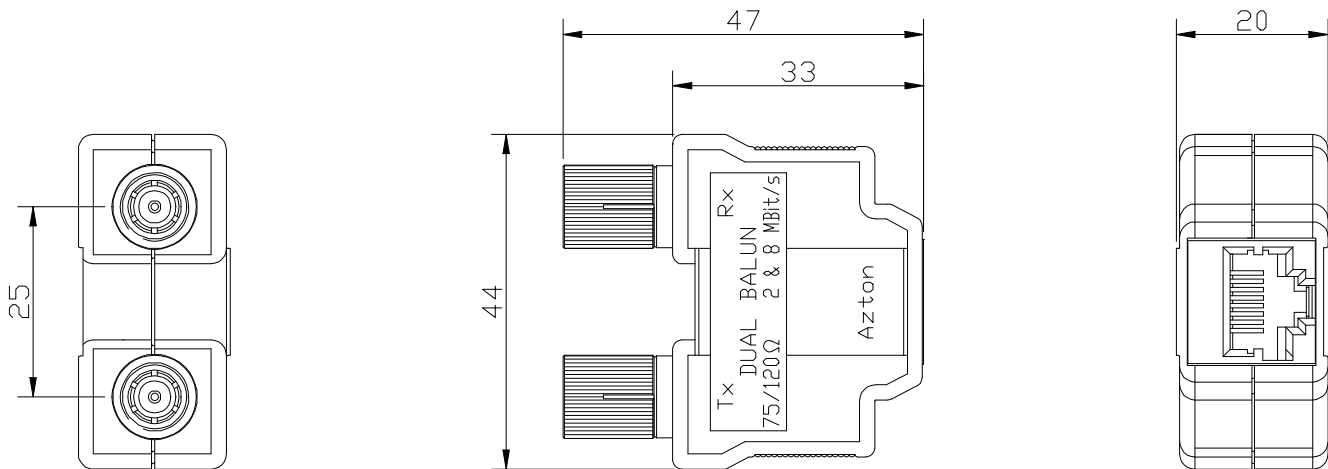


## Dual Balun, 75/120Ω, 2-8Mbit/s, E1 & E2, Shielded 1.6/5.6 (m) to RJ45 (f)



### OPERATING CONDITIONS

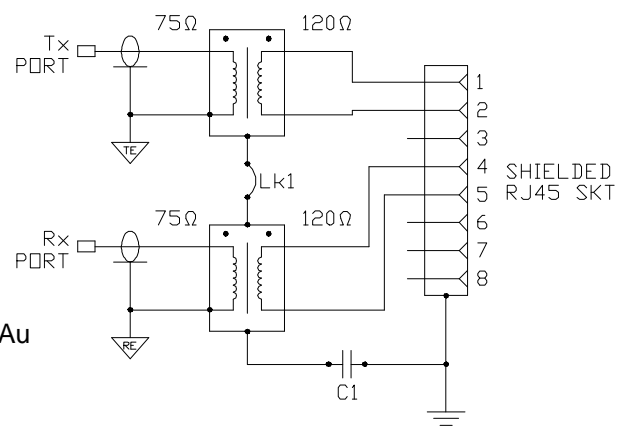
Matching Impedance: 75 ohm unbalanced coaxial to 120 ohm balanced twisted pair  
 Bit Rate: 2Mbit/s (E1) and 8Mbit/s (E2) per ITU-T G.703 Line Code  
 Signal Level: 2.37V nominal peak voltage at the coaxial end per G.703  
 Working Temperature: -30°C to 75°C

### ELECTRICAL SPECIFICATIONS

Insertion Loss: < 0.15dB from 51kHz to 3.072MHz (2Mbit/s, E1) and  
 < 0.20dB from 211kHz to 12.673MHz (8Mbit/s, E2) in both directions  
 Return Loss: Exceeds G.703 requirements by >13dB for 2Mbit/s and >8dB for 8Mbit/s  
 Pulse Shape: Exceeds G.703 requirements for 2Mbit/s and 8Mbit/s  
 Cross Talk: < -70dB from 51kHz to 12.673MHz between channels  
 Isolation Voltage: > 250V DC for 1 minute

### MECHANICAL SPECIFICATIONS

**Coaxial Connector:** 1.6/5.6 male to IEC 169-13  
 Body: Brass, Plated Cu/Ni5  
 Pin: Brass, Plated Cu/Ni5/Au1.25  
 Slotted Contact: Beryllium Copper,  
 Plated Cu/Ni5/Au0.8  
 Insulator: Teflon  
 Mating Cycles: 500min  
**RJ45 Connector:** Contacts: Phosphor Bronze, Plated Ni/Au  
 Moulding: PBT Glass Filled, Black  
 Shield: Brass, Plated Sn  
**Mouldings:** ABS-PC, Black



### ACCESSORIES

Mounting Frames: For 19", 21" and 23" racks  
 Brackets: For vertical and horizontal surface mounting