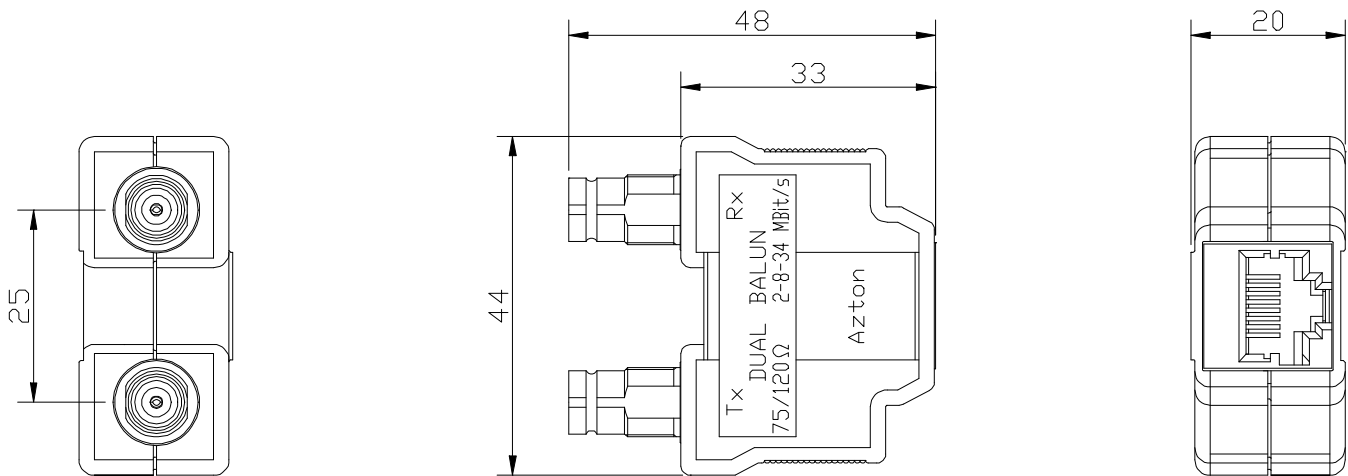


Dual Balun, 75/120W, 2-8-34Mbit/s, Shielded 1.6/5.6 (f) to RJ45 (f)



OPERATING CONDITIONS

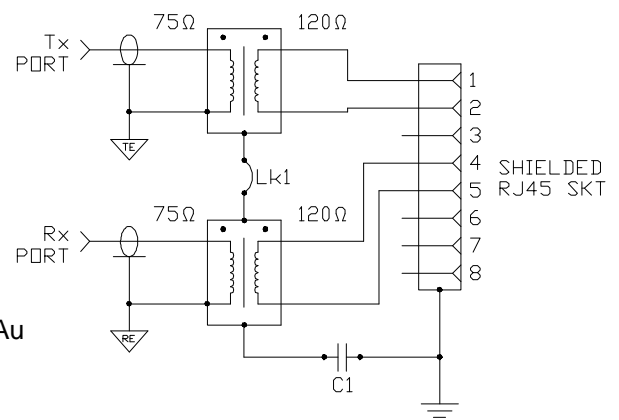
Matching Impedance: 75 ohm unbalanced coaxial to 120 ohm balanced twisted pair
 Bit Rate: 2Mbit/s (E1), 8Mbit/s (E2) and 34Mbit/s (E3) per ITU-T G.703 Line Code
 Signal Level: 2.37V p-p (2&8Mbit/s), 1V p-p (34Mbit/s) at the coaxial end per G.703
 Working Temperature: -30°C to 75°C

ELECTRICAL SPECIFICATIONS

Insertion Loss: < 0.35dB from 51kHz to 51.55MHz and in both directions
 < 0.15dB for 2&8Mbit/s fundamental, < 0.2dB for 34Mbit/s fundamental as per G.703
 Return Loss: Exceeds G.703 requirements in both directions
 > 21dB from 51kHz to 102kHz
 > 26dB from 102kHz to 17.184MHz
 > 21dB from 17.184MHz to 34.368MHz and
 > 19dB from 34.368MHz to 51.55MHz
 Pulse Shape: Exceeds G.703 requirements for 2Mbit/s, 8Mbit/s and 34Mbit/s
 Cross Talk: > 65dB from 51kHz to 51.55MHz between channels
 Isolation Voltage: > 250V DC for 1 minute

MECHANICAL SPECIFICATIONS

Coaxial Connector: 1.6/5.6 female to IEC 169-13
 Body: Brass, Plated Cu/Ni5/Au0.8
 Pin: Beryllium Copper, Plated Cu/Ni5/Au1.25
 Insulator: Teflon
 Mating Cycles: 500min
RJ45 Connector: Contacts: Phosphor Bronze, Plated Ni/Au
 Moulding: PBT Glass Filled, Black
 Shield: Brass, Plated Sn
Mouldings: ABS-PC, Black



ACCESSORIES

Mounting Frames: For 19", 21" and 23" racks
 Brackets: For vertical and horizontal surface mounting