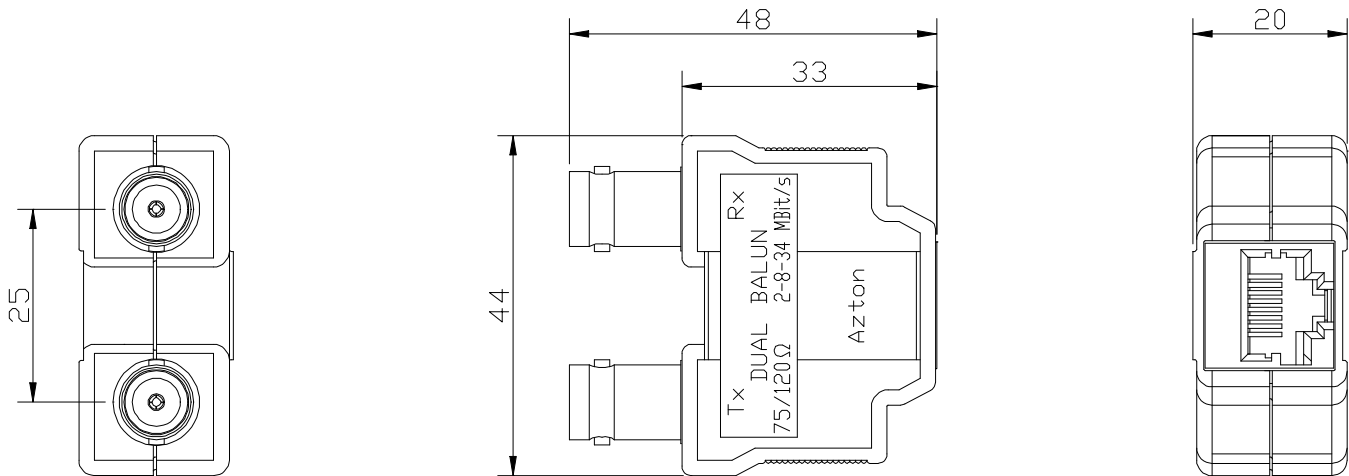


## Dual Balun, 75/120W, 2-8-34Mbit/s, Shielded BNC (f) to RJ45 (f)



### OPERATING CONDITIONS

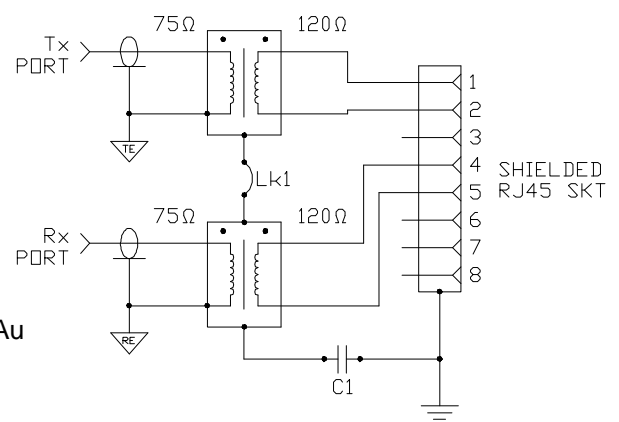
Matching Impedance: 75 ohm unbalanced coaxial to 120 ohm balanced twisted pair  
 Bit Rate: 2Mbit/s (E1), 8Mbit/s (E2) and 34Mbit/s (E3) per ITU-T G.703 Line Code  
 Signal Level: 2.37V p-p (2&8Mbit/s), 1V p-p (34Mbit/s) at the coaxial end per G.703  
 Working Temperature: -30°C to 75°C

### ELECTRICAL SPECIFICATIONS

Insertion Loss: < 0.35dB from 51kHz to 51.55MHz and in both directions  
 < 0.15dB for 2&8Mbit/s fundamental, < 0.2dB for 34Mbit/s fundamental as per G.703  
 Return Loss: Exceeds G.703 requirements in both directions  
 > 21dB from 51kHz to 102kHz  
 > 26dB from 102kHz to 17.184MHz  
 > 21dB from 17.184MHz to 34.368MHz and  
 > 19dB from 34.368MHz to 51.55MHz  
 Pulse Shape: Exceeds G.703 requirements for 2Mbit/s, 8Mbit/s and 34Mbit/s  
 Cross Talk: > 65dB from 51kHz to 51.55MHz between channels  
 Isolation Voltage: > 250V DC for 1 minute

### MECHANICAL SPECIFICATIONS

**Coaxial Connector:** BNC female to IEC 169-8  
 Body: Brass, Plated Cu/Ni5b  
 Pin: Phosphor Bronze, Plated Cu/Ni5/Au1.25  
 Insulator: Teflon  
 Mating Cycles: 500min  
**RJ45 Connector:** Contacts: Phosphor Bronze, Plated Ni/Au  
 Moulding: PBT Glass Filled, Black  
 Shield: Brass, Plated Sn  
**Mouldings:** ABS-PC, Black



### ACCESSORIES

Mounting Frames: For 19", 21" and 23" racks  
 Brackets: For vertical and horizontal surface mounting